

# OWNER'S MANUAL

Power Blowers™

Cone Air Flow (CAF) - Electric Driven



# INTRODUCTION

Thank you for choosing Tempest Technology Corporation for your ventilation needs. With this manual we hope to help you operate your Tempest product safely and to its full potential. Maintained according to the specifications set in this manual, it is not uncommon to receive many years of use and operation out of your Tempest equipment.

This manual is produced solely for the use of purchasers and operators of Tempest Technology Corporation equipment. Any reproduction, retransmission, or other use of the contents of this manual without written consent of Tempest Technology Corporation is strictly prohibited.

It is the intent of this manual to provide the owner/operator of Tempest Technology Corporation products with both general and specific information regarding the safe and proper operation and maintenance of the equipment described within.

## CONTACT

If after careful review, any questions arise concerning any portion of this manual, please contact Tempest Technology Corporation for assistance:

TEMPEST TECHNOLOGY CORP.  
4708 N. BLYTHE AVENUE  
FRESNO, CA 93722

Toll Free: 800.346.2143  
t: 559.277.7577  
f: 559.277.7579

response@tempest.us.com  
www.tempest.us.com

## TABLE OF CONTENTS

ABOUT TEMPEST	2
SAFETY GUIDE	3
GENERAL INFORMATION	3
POWER BLOWER™ DATA	4
POWER BLOWER™ INFORMATION	5
OPERATING PROCEDURES	5
MAINTENANCE PROCEDURES	7
POWER BLOWER™ TROUBLESHOOTING	7
REPLACEMENT PARTS - SINGLE SPEED	8
REPLACEMENT PARTS - SINGLE SPEED BASIC	9
REPLACEMENT PARTS - VSG & VSR	10
NOTES	11
WARRANTY	BACK COVER

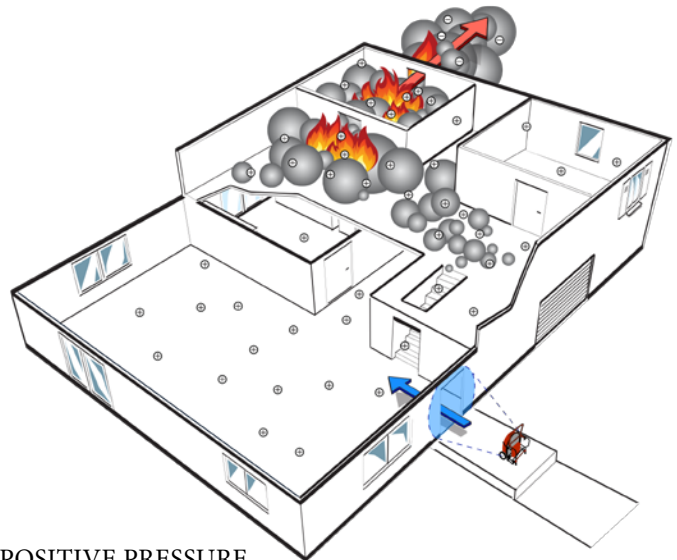
# ABOUT TEMPEST

Tempest Technology Corporation is the leading manufacturer of products and accessories for environmental management in firefighting and industrial applications.

Tempest began as a manufacturer of gasoline and electric powered blowers for the fire service. Fire departments use the **Tempest Power Blower™** to provide “Positive Pressure Ventilation / Attack” (PPV/PPA) to remove heat, gases and smoke from the interior of a burning structure.

Tempest has expanded into other industries and found new applications for its products. The **Tempest Power Blower™** and PPV/PPA are used by industrial applications to control dust, fumes and unhealthy gases like carbon monoxide, greatly improving safety in confined spaces.

Tempest Technology Corporation has earned a reputation as a leader and innovator in the air movement industry and continues in that role today.



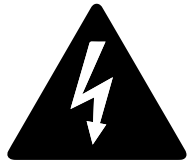
POSITIVE PRESSURE  
VENTILATION/ATTACK

## SAFETY GUIDE

Failure to follow the operating, maintenance and lubrication requirements set forth in this manual may result in serious personal injury or death and/or damage to equipment or property.

The following WARNING statements indicate potentially hazardous conditions for operators and equipment. Make certain that anyone who works on or around the blower has read and fully understands the safety precautions listed.

1. Carefully read this owner's manual before attempting to operate, service or disassemble any part of your *Tempest Power Blower™*.
2. **DO NOT** operate the unit when mentally or physically fatigued or impaired.
3. Stay away from rotating parts; avoid wearing loose jackets, shirts, and ties. Keep hands and feet away from moving parts.
4. Keep all unauthorized personnel at a safe distance from the blower.
5. Keep all guards in place. **DO NOT** make repairs while the unit is running. **DO NOT** operate if any guard or grille is not in place.
6. Always wear eye protection. Loose debris can be picked up in the air stream and flown in the air.
7. Hearing protection is required. Engine and air noise may exceed safe dB levels.
8. Always ensure proper voltage and amperage is delivered to your *Tempest Power Blower™*.
9. Only a qualified technician should perform repairs or maintenance on electric components.
10. Never operate your *Tempest Power Blower™* with electric components exposed.
11. Never operate your *Tempest Power Blower™* with damaged, exposed or frayed wiring.
12. It is the sole responsibility of the owner/operator to develop procedures for proper use of the *Tempest Power Blower™* in accordance with generally accepted ventilation techniques as well as the organization's own operating procedures, before placing the unit into service.



## GENERAL INFORMATION

### BLOWER IDENTIFICATION

Each *Tempest Power Blower™* has a part number as well as a serial number. The part number identifies the type of unit (size, drive, etc.) while the serial number relates to information referencing the date of manufacture. This information is useful should it become necessary to contact the factory regarding your *Power Blower™*.

### SERIAL NUMBER LOCATIONS

The serial number is typically located on the frame just right of the motor mount (when viewed from behind).

Please write the Serial Number of your *Tempest Power Blower™* in the spaces below. This will aid us in identifying which model you have when assisting you.

Model (Part No.) \_\_\_\_\_

Date \_\_\_\_\_

Serial No. \_\_\_\_\_

### WARRANTY

Warranty information on your unit can be found on the back page of this manual. For further information, please contact Tempest Technology Corp.

## POWER BLOWER™ DATA

<b>TYPE:</b>	Positive Pressure Ventilation Fan, Cone Air Flow (CAF)
<b>DRIVE:</b>	Single Speed (Incl. BASIC) Models: Direct-Drive Single Speed 110-120V, 60Hz or 220-230V, 50Hz Electric Motor, GFCI Compatible VSG & VSR Models: Direct-Drive Variable Speed 110-120V, 60Hz (or 220-230V, 50Hz, VSR only) Electric Motor, GFCI Compatible, NEMA-4 Rated Drive
<b>EP OPTION:</b>	Hazardous Locations Class I, Group C & D and Class II, Group F & G Environments
<b>BLADE:</b>	AirFlex Fiberglass Reinforced Polyamide Blades
<b>BUSHING:</b>	Keyed Shaft and Set or Cap Screws
<b>SHROUD:</b>	Turbo 2000 Tapered Aluminum w/ Durable Powder-Coat Finish
<b>FRAME:</b>	Rugged, Lightweight, Square-Steel Tubing with Powder-Coat Finish
<b>TILT MECHANISM:</b>	Foot-Operated Tilt Mechanism 16" Models: Four Position Tilt, +10°, +5°, 0°, -5° 18", 21", 24" Models: Five Position Tilt, +15°, +10°, +5°, 0°, -5° 18", 21" BASIC Models: Three Position Tilt +15°, +10°, 0° (Hand-Operated)
<b>GRILLE:</b>	Continuous Circular-Wound, External-Weld Steel Wire with 8 Tie Points for Additional Safety Meets UL & European CE Safety Standards
<b>VIBRATION DAMPENERS:</b>	Steel-Reinforced Rubber and Welded Steel Spring Feet
<b>WHEELS: (NON BASIC)</b>	16" Models: 6" Non-Pneumatic w/ Steel Hubs 18", 21", 24" Models: 8" Non-Pneumatic w/ Steel Hubs

### SS SPECIFICATIONS:

\*16" EP models come with 1.0 HP motor

Model No.	Part No.	Size	HP	CFM	Dimensions (WxDxH)	Weight
SS-16-S-1.5	910-1200	16"	1.5*	11,804	20.50" x 19.75" x 21.75"	74 lbs.
SS-18-S-1.0	910-1220	18"	1.0	8,748	22.00" x 21.00" x 24.25"	76 lbs.
SS-21-S-1.0	910-1240	21"	1.0	11,698	24.75" x 21.00" x 26.25"	81 lbs.
SS-24-S-1.0	910-1260	24"	1.0	12,867	28.00" x 21.00" x 30.00"	90 lbs.

### SS BASIC SPECIFICATIONS:

Model No.	Part No.	Size	HP	CFM	Dimensions (WxDxH)	Weight
SS-18-S-1.0 BASIC	910-1222	18"	1.0	8,748	22.00" x 18.00" x 24.00"	57 lbs.
SS-21-S-1.0 BASIC	910-1242	21"	1.0	11,698	25.00" x 18.00" x 25.50"	60 lbs.

### VSG SPECIFICATIONS:

Model No.	Part No.	Size	HP	CFM	Dimensions (WxDxH)	Weight
VS-16-G-1.5	910-1300	16"	1.5	11,125	21.00" x 19.75" x 21.75"	89 lbs.
VS-18-G-1.5	910-1320	18"	1.5	11,861	23.00" x 21.00" x 24.25"	95 lbs.
VS-21-G-1.5	910-1340	21"	1.5	13,414	26.00" x 21.00" x 26.25"	99 lbs.
VS-24-G-1.5	910-1360	24"	1.5	12,901	29.50" x 21.00" x 30.00"	109 lbs.

### VSR SPECIFICATIONS:

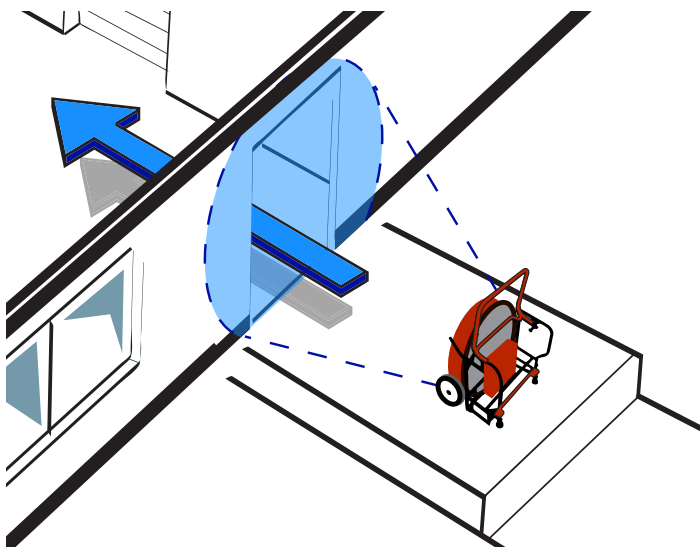
Model No.	Part No.	Size	HP	CFM	Dimensions (WxDxH)	Weight
VS-16-R-2.0	910-1400	16"	2.0	11,551	21.00" x 19.75" x 23.00"	98 lbs.
VS-18-R-2.0	910-1420	18"	2.0	12,839	23.00" x 21.00" x 24.25"	104 lbs.
VS-21-R-2.0	910-1440	21"	2.0	14,836	26.00" x 21.00" x 26.25"	108 lbs.
VS-24-R-2.0	910-1460	24"	2.0	15,663	29.50" x 21.00" x 30.00"	119 lbs.

## POWER BLOWER™ INFORMATION

The *Tempest Power Blower™* is a high powered, portable fan used for Positive Pressure Ventilation and Attack (PPV/PPA), ventilation techniques that quickly and efficiently replace hazardous interior environments with clean, cool air.

PPV and PPA were pioneered in the firefighting industry where firefighters use the *Tempest Power Blower™* to ventilate smoke, heat, and harmful gases from buildings. This creates a safer environment for them to work in and makes it easier for them to find victims and extinguish the fire.

PPV and PPA rely on two principles, (1) an air pattern capable of creating an effective door seal, and (2) pressure. To accomplish Positive Pressure Ventilation or Attack, the blower is placed on the outside of the structure. It is positioned so that the air pattern created by the blower completely seals the entrance opening, or at least 2/3 of it. When this seal is achieved, the air pressure is increased equally at all points inside the structure. When an exhaust opening is created, all of the interior air moves in one mass towards it. The result is fast, efficient ventilation of the entire structure.



NOTE: The *Tempest Power Blower™* is the most efficient tool for PPV and PPA for two reasons. First, the exclusive Tempest Turbo 2000 aluminum shroud design creates a broad, cone shaped air pattern. Second, the airflex impeller used on all Tempest blowers is designed to create high pressure. These two features working together make the *Tempest Power Blower™* a highly effective and efficient ventilation tool.

As with any new technique, Positive Pressure Ventilation requires training and education in order to be implemented properly and safely. Tempest offers access to a complete line of training materials, which cover many applications for this powerful ventilation technique. For more information visit [www.tempest.us.com](http://www.tempest.us.com), [www.positivepressuretraining.com](http://www.positivepressuretraining.com) or contact us at 800.346.2143 or [response@tempest.us.com](mailto:response@tempest.us.com).

## OPERATING PROCEDURES

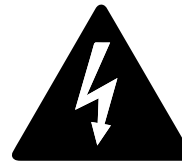
### PRE-OPERATION

After receiving and unpacking your blower, be sure to carefully inspect it for any damage that might have occurred during shipping. Should you find any damage: PLEASE NOTIFY TEMPEST TECHNOLOGY CORP. IMMEDIATELY AT 800.346.2143 OR [RESPONSE@TEMPEST.US.COM](mailto:RESPONSE@TEMPEST.US.COM).

### OPERATION

#### SET-UP, STARTING AND STOPPING

Assuming the previous Pre-Operation and safety instructions have been followed, the blower is now ready to run.



**WHEN USING A GENERATOR, IT IS IMPERATIVE THAT THE GENERATOR BE RUNNING AT FULL CAPACITY BEFORE PLUGGING IN ANY ELECTRIC BLOWER. ALWAYS VERIFY SUFFICIENT GENERATOR OUTPUT BEFORE USE. IMPROPER VOLTAGE SUPPLY MAY DAMAGE UNIT AND VOID WARRANTY.**

**CAUTION: DO NOT MOVE THE BLOWER WHILE IT IS IN OPERATION. SEVERE PERSONAL INJURY IS POSSIBLE AS WELL AS DAMAGE TO THE BLOWER.**

**ALWAYS SHUT-DOWN THE BLOWER PRIOR TO MOVING.**

#### SET-UP

Position the blower in the desired location, making sure it is placed on a flat, hard and debris free surface.

NOTE: The following sections cover separate operating instructions for each type of electric blower. Please be sure to follow the operating instructions specific to your particular blower model. (ex. VSG, VSR, Single Speed)

#### STARTING - SINGLE SPEED

**No Switch:** Plug blower into power source. Unit will begin running automatically.

#### With Switch:

1. Ensure blower toggle is switched to the OFF position.
2. Plug blower into power source.
3. Switch toggle to the ON position.

#### STOPPING

**No Switch:** Unplug unit from power source or switch off power source.

**With Switch:** Stop unit before unplugging from power source. Make sure toggle switch is set to STOP.

**SINGLE SPEED REQUIREMENTS**

Based on 110-120V fan on 20 amp circuit.

Motor HP	0.3	1.0	1.5
Starting Amps	10.9	48.0	54.6
Starting Watts	1300	6,000	6,300
Runnings Amps	6.3	13.4	14.2
Runnings Watts	756	1,900	2,100

**MAXIMUM POWER CORD LENGTH**

Based on 1 fan on 20 amp circuit.

Motor HP	0.3	1.0	1.5
14 Gauge	215'	60'	45'
12 Gauge	330'	95'	65'
10 Gauge	550'	150'	115'
8 Gauge	850'	240'	190'
6 Gauge	1,350'	380'	300'

**STARTING - VSG & VSR**

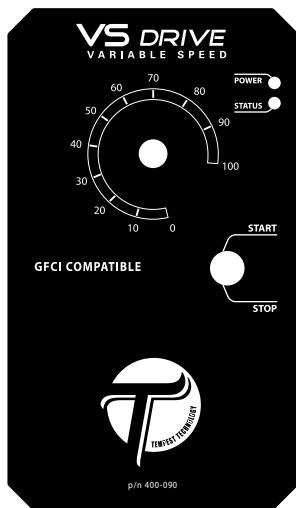
1. Check that the toggle switch is set to STOP.
2. Plug the blower cord into power source receptacle. If power is properly brought to the control, the "ON" or "POWER" LED and the "STOP" or "STATUS" LED indicators will be lit.
3. Engage START toggle. The toggle is momentary switch to start. The center position is the run location.
4. Adjust the rheostat knob to the desired speed/load.

**STOPPING**

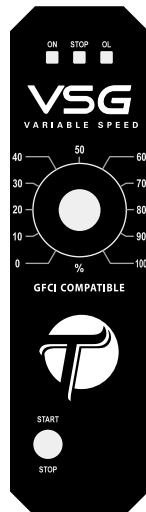
1. Stop unit before unplugging from power source. Make sure toggle is set to STOP.

NOTE: VSR & VSG GFCI systems are set to run on the cord length and size specified at the time of purchase (options listed below). If you wish to run the unit on a different size/length cord than originally requested, the fan's drive may need to be reset. For information on how to adjust the set cord length and size, please contact Tempest Technology Corp. The VS-24-G-1.5 is only available in A or B configurations.

- A) 15' of 12 AWG
- B) 200' of 10 AWG
- C) 200' of 12 AWG
- D) 200' of 14 AWG



VSR DRIVE



VSG DRIVE



## MAINTENANCE PROCEDURES

Although Tempest electric *Power Blowers™* are designed to eliminate most maintenance issues, it is imperative that the blowers be inspected before startup on each use. Please review the following list before using this product.

### MAINTENANCE SCHEDULE

#### EVERY USE

- INSPECT BLOWER FOR DAMAGE AND FIX IF ANY
- TIGHTEN/REPLACE ANY LOOSE OR MISSING PARTS

#### EVERY MONTH OR 10 HOURS

- INSPECT & CLEAN SHROUD & GRILLES

**IMPORTANT:** Always operate the blower in an area free of debris which may be pulled into the unit's blades. If you suspect the fan's blade may have contacted a hard object, thorough inspection of the blade assembly should be conducted immediately to ensure safety. You may contact Tempest Technology Corp. in order to find out how to properly inspect the blade assembly.

## POWER BLOWER™ TROUBLESHOOTING

Various factors can contribute to or be the sole cause of problems for electric power blowers. This section will identify some of these problems and provide solutions to correct them.

### BLOWER MOVEMENT OR "WALKING"

- Adjust the rubber footpads on the back of the blower by turning them either in or out.
- Adjust the side that is walking. This will help to evenly distribute the weight of the blower to all four points of the frame.
- Most blowers will walk if not running at full speed, make sure the blower is running at full speed.
- Ensure the blower is sitting flat and not on small rocks or other objects.
- If blower is still walking, contact Tempest at 800.346.2143 or [response@tempest.us.com](mailto:response@tempest.us.com).

### SINGLE SPEED

#### BLOWER FAILS TO START

- Make sure the unit is connected to the power source.
- Thoroughly check the power cord. If the cord shows any signs of serious wear it may need to be replaced before running properly.
- Many blowers are equipped with an "automatic reset." This reset will kill power to the blower when the unit is at risk of overheating. Let the blower cool and attempt to start it again.
- There may be damage to the internal wiring. Have a qualified technician or electronics specialist examine the blower circuitry and wiring and make any necessary repairs.
- If your Tempest Single Speed blower is not running after pursuing the steps mentioned above, please contact us at 800.346.2143 or [response@tempest.us.com](mailto:response@tempest.us.com).

### VSG & VSR

#### IF THE "ON" OR "POWER" AND THE "STOP" OR "STATUS" LEDS DO NOT LIGHT UP

- Make sure the unit is connected to the power source.
- Confirm that adequate power is being supplied to blower. If power supply is adequate, **DISCONNECT BLOWER FROM POWER SOURCE** and check for loose or faulty wiring on blower electrical system and have a qualified professional perform repairs if needed.
- Connect blower to power source and attempt restarting. If blower still does not run, contact Tempest at 800.346.2143 or [response@tempest.us.com](mailto:response@tempest.us.com).

### BLOWER SURGES WHEN RUNNING ON GENERATOR

- Check that the generator meets the proper voltage output to operate the blower.
- If blower is still surging, contact Tempest at 800.346.2143 or [response@tempest.us.com](mailto:response@tempest.us.com).

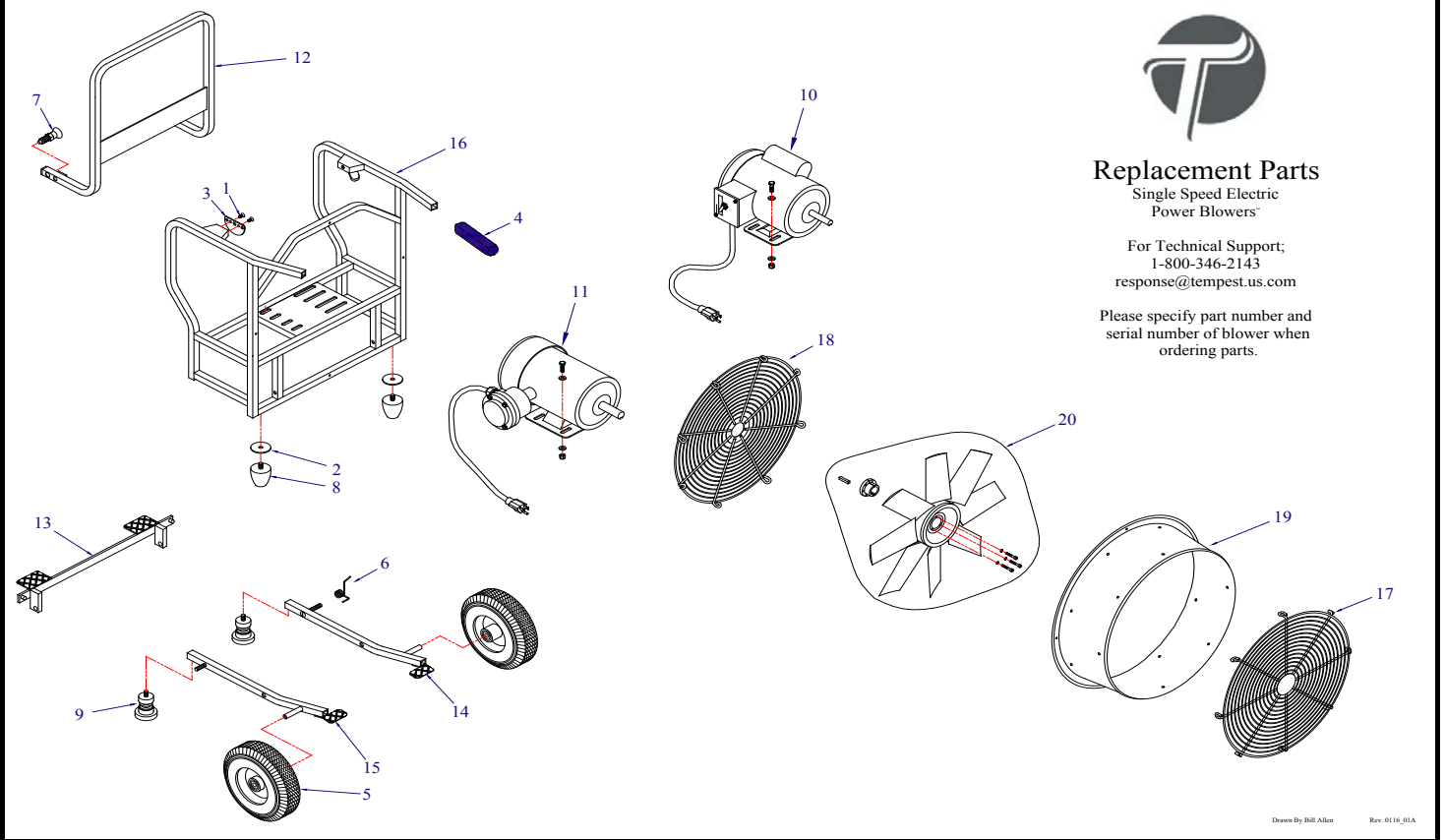


## Replacement Parts

Single Speed Electric  
Power Blowers™

For Technical Support;  
1-800-346-2143  
response@tempest.us.com

Please specify part number and  
serial number of blower when  
ordering parts.



Drawn By: Bill Allen Rev: 01/16/01A

Standard Motor

SS-16-S-1.5	SS-18-S-1.0	SS-21-S-1.0	SS-24-S-1.0
910-1200	910-1220	910-1240	910-1260

Explosion Proof (EP) Motor

SS-16-S-1.0-EP	SS-18-S-1.0-EP	SS-21-S-1.0-EP	SS-24-S-1.0-EP
910-1201	910-1221	910-1241	910-1261

Item #	Description	Part No.	Part No.	Part No.	Part No.
1	1/4 X 1/2 FLAT SOC C/S ZINC	100-079	100-079	100-079	100-079
2	WASHER 3/8 X 2 FENDER HVY Z	120-037	120-037	120-037	120-037
3	HANDLE BRACKET	220-069	220-069	220-069	220-069
4	GRIP BASIC BLOWER HANDLE	220-248	220-248	220-248	220-248
5	WHEEL FLAT FREE	240-008	240-012G	240-012G	240-012G
6	SPRING TORSION	300-019	300-018	300-018	300-018
7	SPRING PLUNGER W/HANDLE	300-170	300-170	300-170	300-170
8	FOOT TAPERED	580-006	580-006	580-006	580-006
9	SPRING ASSEMBLY	600-001	600-001	600-001	600-001
10*	ELECTRIC MOTOR ASSEMBLY STD	600-135	600-131	600-131	600-131
11*	ELECTRIC MOTOR ASSEMBLY EP	600-132	600-132	600-132	600-132
12*	HANDLE YELLOW	600-715K	600-716K	600-717K	600-718K
13*	WIN STEP YELLOW	600-719K	600-720K	600-721K	600-722K
14*	LEG ASSEMBLY LEFT DARK GREY	610-1001K	610-1020K	610-1020K	610-1020K
15*	LEG ASSEMBLY RIGHT DARK GREY	610-1002K	610-1021K	610-1021K	610-1021K
16*	FRAME DARK GREY	610-1300K	610-1320K	610-1340K	610-1360K
17	FRONT GRILLE DARK GREY	610-1400K	610-1420K	610-1440K	610-1460K
18	REAR GRILLE DARK GREY	610-1401	610-1421	610-1441	610-1461
19*	SHROUD, YELLOW	705-101	705-106	705-111	705-116
20*	BLADE ASSEMBLY STD MODELS	705-278	705-284	705-264	705-268
20*	BLADE ASSEMBLY EP MODELS	705-292	705-284	705-264	705-268

\* denotes item includes necessary hardware for installation

NI not Illustrated

This document contains proprietary information and intellectual property that cannot be reproduced or altered, in whole or in part, without the written consent of Tempest Technology Corp.  
Copyright 2016 - All Rights Reserved

Information and Material Subject to Change Without Notice



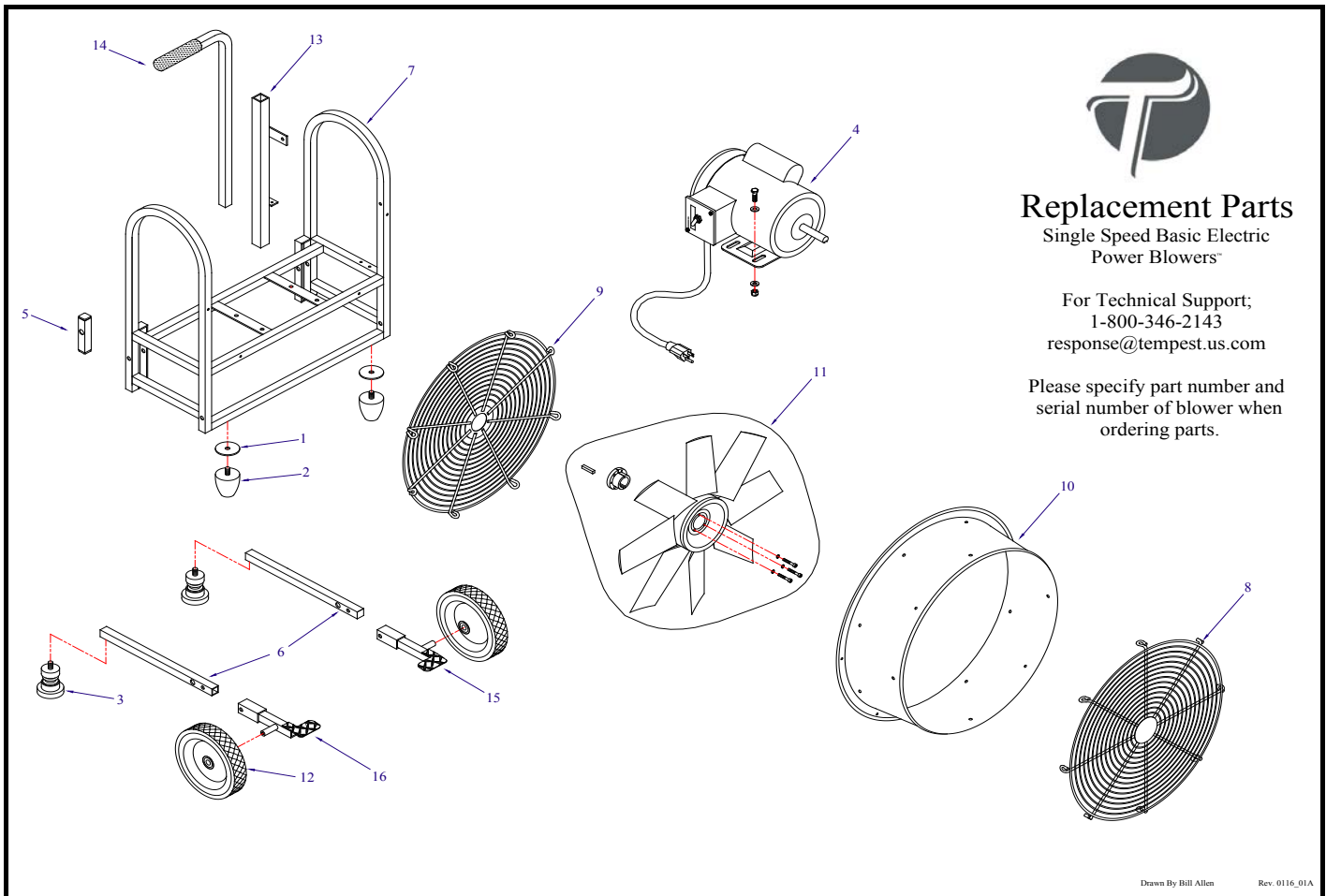


## Replacement Parts

Single Speed Basic Electric  
Power Blowers™

For Technical Support;  
1-800-346-2143  
response@tempest.us.com

Please specify part number and  
serial number of blower when  
ordering parts.



Drawn By Bill Allen Rev. 0116\_01A

Item #	Description	SS-18-S-1.0 BASIC	SS-21-S-1.0 BASIC
		Part No.	Part No.
1	WASHER 3/8 X 2 FENDER HVY Z	120-037	120-037
2	FOOT TAPERED	580-006	580-006
3	SPRING & FOOT ASSY, COMPLETE	600-001	600-001
4*	ELECTRIC MOTOR ASSEMBLY	600-131	600-131
5	BASIC TILT CAM ASSEMBLY	600-345K	600-345K
6*	LEG KIT LEFT/RIGHT DARK GREY	610-1027K	610-1027K
7*	FRAME DARK GREY	610-1304K	610-1344K
8	FRONT GRILLE DARK GREY	610-1420K	610-1440K
9	REAR GRILLE DARK GREY	610-1421	610-1441
10*	SHROUD, RED	705-105	705-110
11*	BLADE ASSEMBLY	705-286	705-282

Item #	Description	Handle/Wheel Kit
		Part No.
		610-1921
12	WHEEL 715-OF 7X1.50 OFFSET	240-001
13	HANDLE RECEIEVER ASSY 18 & 21 BASIC	610-1659
14	PULL UP HANDLE FOR BASIC	600-286K
15	BASIC WHEEL MOUNT LEFT	610-1657
16	BASIC WHEEL MOUNT RIGHT	610-1658

\* denotes item includes necessary hardware for installation

NI Not Illustrated

This document contains proprietary information and intellectual property that cannot be reproduced or altered, in whole or in part, without the written consent of Tempest Technology Corp.

Copyright 2016 - All Rights Reserved

Information and Material Subject to Change Without Notice

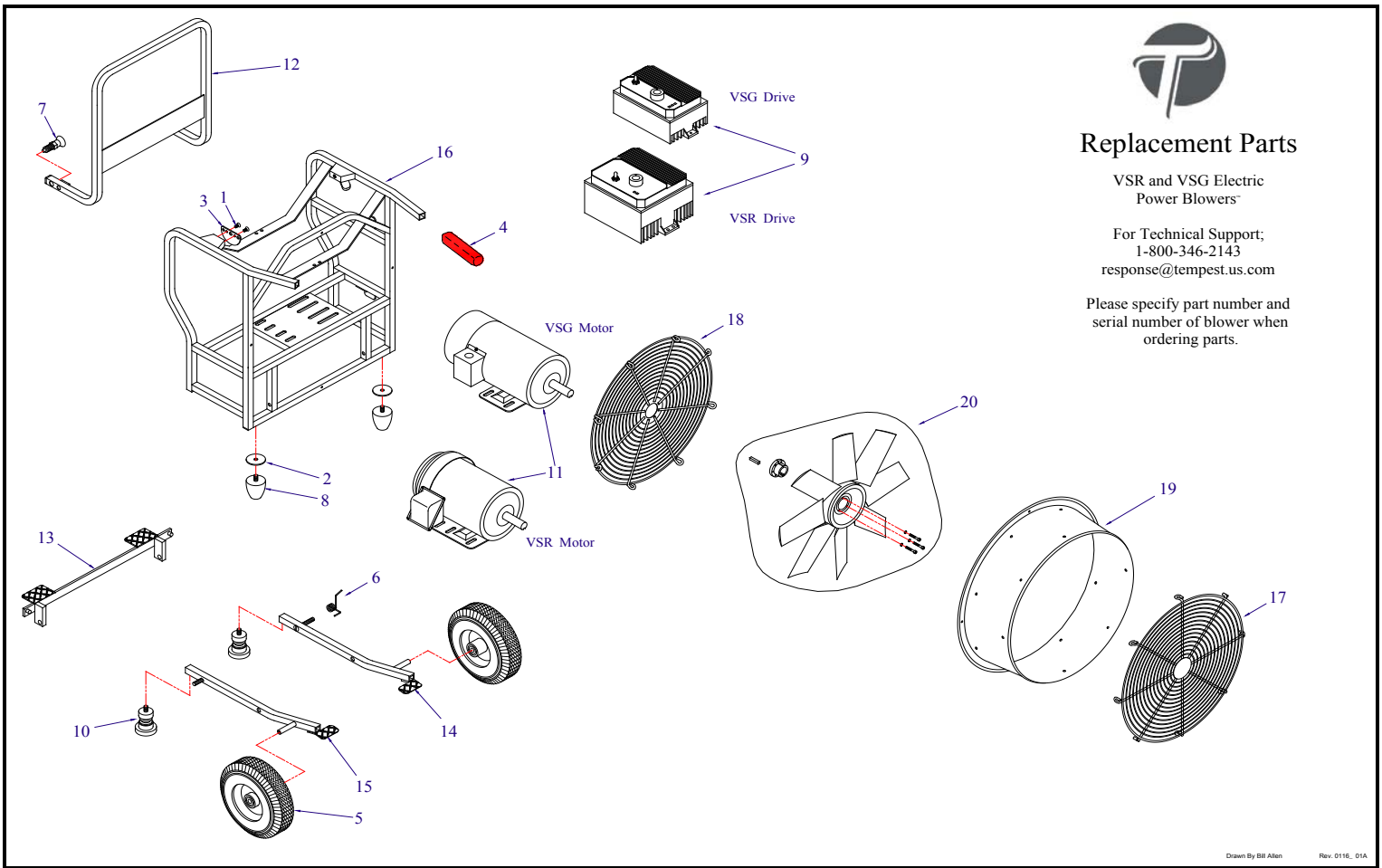


## Replacement Parts

VSR and VSG Electric Power Blowers

For Technical Support;  
1-800-346-2143  
response@tempest.us.com

Please specify part number and serial number of blower when ordering parts.



Drawn By Bill Allen Rev 0116, 01A

	VS-16-R-2.0	VS-18-R-2.0	VS-21-R-2.0	VS-24-R-2.0	VS-16-G-1.5	VS-18-G-1.5	VS-21-G-1.5	VS-24-G-1.5
	910-1400	910-1420	910-1440	910-1460	910-1300	910-1320	910-1340	910-1360

Item #	Description	Part No.	Part No.	Part No.	Part No.	Part No.	Part No.	Part No.	Part No.
1	1/4 X 1/2 FLAT SOC C/S ZINC	100-079	100-079	100-079	100-079	100-079	100-079	100-079	100-079
2	WASHER 3/8 X 2 FENDER HVY Z	120-037	120-037	120-037	120-037	120-037	120-037	120-037	120-037
3	HANDLE BRACKET	220-069	220-069	220-069	220-069	220-069	220-069	220-069	220-069
4	GRIP BASIC BLOWER HANDLE	220-248	220-248	220-248	220-248	220-248	220-248	220-248	220-248
5	WHEEL FLAT FREE	240-008	240-012G	240-012G	240-012G	240-008	240-012G	240-012G	240-012G
6	SPRING TORSION	300-019	300-018	300-018	300-018	300-019	300-018	300-018	300-018
7	SPRING PLUNGER W/HANDLE	300-170	300-170	300-170	300-170	300-170	300-170	300-170	300-170
8	FOOT TAPERED	580-006	580-006	580-006	580-006	580-006	580-006	580-006	580-006
9*	VSR OR VSG DRIVE	581-182K	581-182K	581-182K	581-182K	581-180K	581-180K	581-180K	581-180K
10	SPRING ASSEMBLY	600-001	600-001	600-001	600-001	600-001	600-001	600-001	600-001
11*	ELECTRIC MOTOR ASSEMBLY	600-144	600-144	600-144	600-144	600-140	600-140	600-140	600-140
12*	HANDLE YELLOW	600-715K	600-716K	600-717K	600-718K	600-715K	600-716K	600-717K	600-718K
13*	WIN STEP YELLOW	600-719K	600-720K	600-721K	600-722K	600-719K	600-720K	600-721K	600-722K
14*	LEG ASSEMBLY LEFT DARK GREY	610-1001K	610-1020K	610-1020K	610-1020K	610-1001K	610-1020K	610-1020K	610-1020K
15*	LEG ASSEMBLY RIGHT DARK GREY	610-1002K	610-1021K	610-1021K	610-1021K	610-1002K	610-1021K	610-1021K	610-1021K
16*	FRAME DARK GREY	610-1303K	610-1323K	610-1343K	610-1363K	610-1303K	610-1323K	610-1343K	610-1363K
17	FRONT GRILL DARK GREY	610-1400K	610-1420K	610-1440K	610-1460K	610-1400K	610-1420K	610-1440K	610-1460K
18	REAR GRILL DARK GREY	610-1401	610-1421	610-1441	610-1461	610-1401	610-1421	610-1441	610-1461
19*	SHROUD YELLOW	705-102	705-107	705-112	705-117	705-102	705-107	705-112	705-117
20*	BLADE ASSEMBLY	705-273	705-276	705-267	705-269	705-274	705-277	705-281	705-288

\* denotes item includes necessary hardware for installation

NI Not Illustrated

This document contains proprietary information and intellectual property that cannot be reproduced or altered, in whole or in part, without the written consent of Tempest Technology Corp.

Copyright 2016 - All Rights Reserved

Information and Material Subject to Change Without Notice



## WARRANTY INFORMATION

Except as otherwise set forth below, any claim by Customer with reference to the Goods sold shall be deemed waived by the Customer unless submitted in writing to Tempest within the earlier of (i) five (5) business days following the date Customer discovered, or by reasonable inspection should have discovered, any claimed breach of the foregoing warranty, or (ii) thirty (30) calendar days following the date of shipment. Any cause of action for breach of the foregoing warranty shall be brought within one (1) year from the date the alleged breach was discovered or should have been discovered, whichever occurs first.

### Limited Power Blower Warranty

Tempest warrants to the original purchaser that all Tempest gasoline and electric powered blowers (except the engine or motor and drive) will be free from original defects in workmanship and material, under normal-use conditions, and Tempest will replace any defective power blower part (except the engine or motor and drive) if returned during the applicable warranty period, for the time frame indicated below:

Firefighting Industry:

Five (5) years from date of shipment

Industrial/Rental Industry:

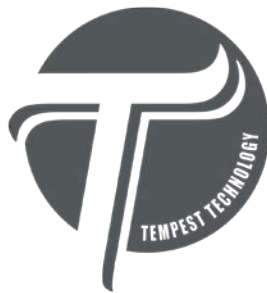
One (1) year from date of shipment

### Blower Engine / Motor & Drive Warranty

The engines manufactured by Honda® and Briggs & Stratton® are covered by a separate manufacturer's warranty for a period of two (2) years. Electric motors manufactured by Magnetek, Marathon, Baldor, Franklin Electric and Multi-Fan are covered by a separate manufacturer's warranty for a period of one (1) year.

**Note: Unauthorized repair or modification of the factory assembly or parts voids the warranty.**

All information provided in this operations manual is subject to change without notice. Please refer to our website for the most recent sales terms and conditions.



### Tempest Technology Corporation

4708 N. Blythe Avenue, Fresno, CA 93722

t: 559.277.7577 • f: 559.277.7579 • [response@tempest.us.com](mailto:response@tempest.us.com)

[www.tempest.us.com](http://www.tempest.us.com)