
User manual



AEROS 2



EN

Read this manual carefully, before the first use

LEADER

Product reference :

V90.00.036	AEROS2
------------	--------

Contents

2. SAFETY INSTRUCTIONS	3
3. GENERAL SPECIFICATIONS	4
4. OPTIONS	6
6. MAINTENANCE OPERATIONS	10
7. SPARE PARTS LIST	11
8. MALFUNCTIONS	13
9. WARRANTY	14

1. INTRODUCTION


The **AEROS2** is a fire trainer with water tray. It allows training in the use of different extinguishing materials (all fire extinguishers, nozzles, portable foam units, etc ...) safely and with respect for the environment.

Thanks to its wired remote control, The **AEROS2** allows the trainer to manage the fire (switching on and off) to accompany trainees safely during training interventions.

The trainings conducted with **AEROS2** can be supplemented with the use of training modules and enable personalized and realistic training: Oil explosion, aerosol explosion, fryer fire, bin fire, screen fire, electric motor fire, or electrical cabinet fire.

2. SAFETY INSTRUCTIONS

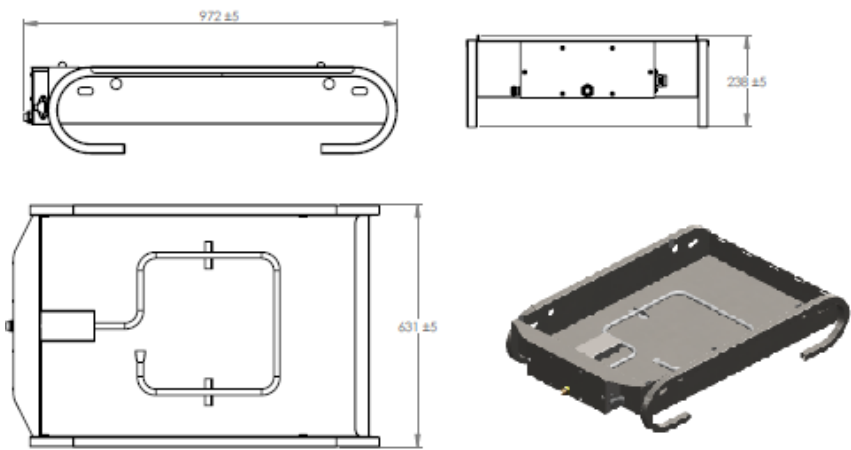


- Read this entire manual along with all the instructions before using the equipment.
- Check the condition of the gooseneck regularly.
- The unit only works with Propane gas. It is forbidden to feed your flame generator with propane in liquid form, especially with carburetion bottles.
- This equipment is for outdoors use only and should not be used in explosive atmospheres.
- The distance container / cylinders given by the length of pipe supply: 6m.
- Never use this equipment over 3 bar.
- **WARNING** hot surfaces: always wear gloves to avoid burns. 
Gants de protection
- The remote control must always stay in the instructor's hands.
- Do not keep pressing the push-button on the remote control if no flame appears, so as to avoid the risk of spreading non-ignited gas, which could catch fire outside the limits of the fire container.
- Any dismantling, or any attempt at dismantling the apparatus, except for consumables such as the battery or the fuse, will render the manufacturer's guarantee null and void.

- This equipment apparatus works only with gas in the gaseous state. It should always be supplied from cylinders standing upright; never put the cylinder on its side.
- Remember that it is forbidden to store cylinders of Propane gas indoors. They must be kept outdoors.
- Training apparatus using explosive fuel are for use by trained staff only. **LEADER** accepts no responsibility in the event of accidents or damage involving people or property.
-
- Be careful that no sand or gravel enters through the joints of the pipe or the apparatus. This could damage the electro-valve.
- The battery can be discharged down to a minimum of 10v. Beyond this it will not be possible to recharge it properly.
- Always replace a defective part by an original part supplied by **LEADER SAS**.
- Keep the device away from children.

3. GENERAL SPECIFICATIONS

- Dimensions: 975 x 630 x 240 mm.
- Weight: 20.8 kg.
- Volume of water: 35 litres.
- Fire surface: 0.50 m².
- Gas supply controlled by electro-valve : Immediate Flow rate = 16 kg/h.
- Electric power supply: Rechargeable sealed lead/acid battery 12V.
- Firing system using: Spark plug.
- Operating temperature from: -5°C to +40°C.



- Floating battery charger

- Power supply: 220 V Frequency 50 Hz.
- Recharge time : 24 hours (for a completely flat battery) check the led. For more information, see manufacturers notice (enclosed).

- GAZ Supply

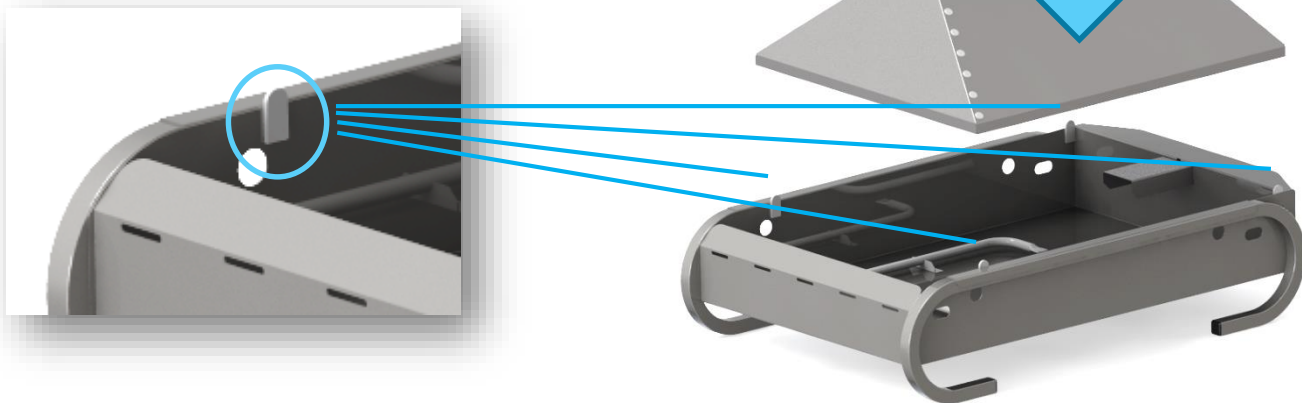
- Bottle: 13kg heavy duty Propane gas cylinder, without flowrate limiter. bottle or two 13 Kg Propane gas domestic type with a penalty **ref V90.80.053** limiter kit.
- Adjustable gas: Regulator.
- Lyre: 6m manually disconnectable.
- Lyre: 6m quickly disconnectable (option).

- Remote control

- Case: Splash-proof.
- Push-button control: Safety device to prevent accidental ignition.
- Electric cable: Length 6 metres (Silicable)
- Fire resistance : Standard CEI 331.
- Operating temperature : -60°C à 180°C.

4. OPTIONS

To position the Accessory Adapter:



Single adaptor With anchors for GF42 and AEROS

Height: 27,5 cm
Length: 71,0 cm
Depth: 61,5 cm
Weight : 8 kg

Ref : V90.80.074



Flat screen New model

Height: 38,0 cm
Length: 46,5 cm
Depth: 8,5 cm (base: 14,5 cm)
Weight: 4,6 kg

Ref : V90.80.071



Electrical cabinet : 1 door with a removable key to be installed on 1 Flat screen (ref. V90.80.071)

Height: 38,0 cm
Length: 46,5 cm
Depth: 11,0 cm (base: 14,5 cm)
Weight: 6,5 kg

Ref : V90.80.075



Aerosol can explosion

To be used with LEADER aerosols only

Height: 22,5 cm
Length: 26 cm
Depth: 20 cm
Weight: 6,9 kg

Ref : V90.80.072



Dustbin : To be installed on 1 Flat screen (ref. V90.80.071)

Height: 35,5 cm
Length: 39,5 cm
Depth: 18,0 cm
Weight: 2,9 kg

Ref : V90.80.062



Fryer fire module : To be installed on the set Screen (ref. V90.80.071) and Dustbin (ref. V90.80.062)

Height: 14 cm
Length: 39,5 cm
Depth: 26 cm
Weight: 1,4 kg

Ref : V90.80.070



Electric motor

Height: 35,5 cm
Length: 32,5 cm
Depth: 56 cm
Weight: 6,8 kg

Ref : V90.80.063



Oil explosion To be installed on the adaptor (ref. V90.80.074)

To be used with vegetable oil

Height: 45,0 cm
Length: 26 cm
Depth: 30,0 cm
Weight: 2,8 kg

Ref : V90.80.073



Gas supply pipe kit

for all flames generators
In order to use 2 Propane gas
cylinders

Ref: V90.80.053

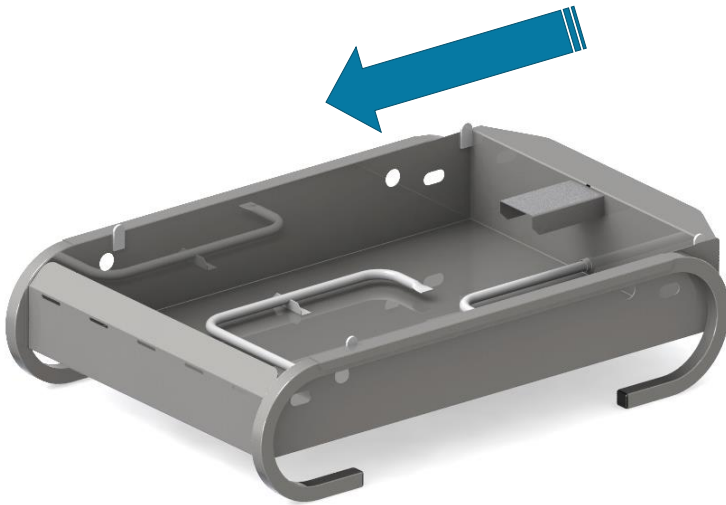
5. COMMISSIONING INSTRUCTIONS

- Use indoors can cause an accumulation of gas resulting in an explosion!

Before use: **Recharge the battery for at least 12 hours.**

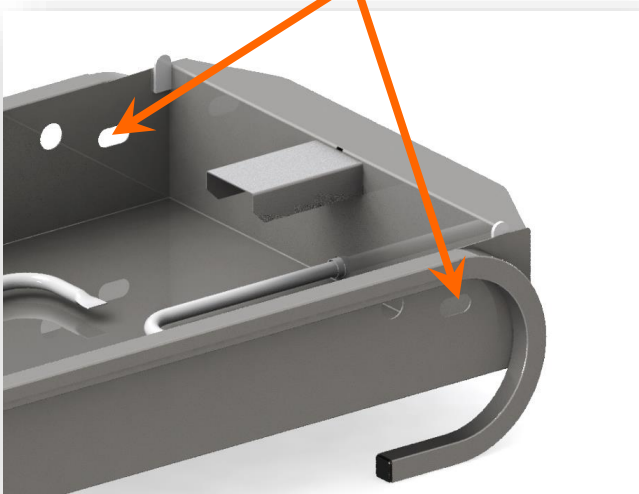


Warning: only use Aeros outdoors.



- Place the fire generator tank on a flat surface to make sure the water level is even in all areas.
- Place it so that the remote control cable and the gas supply pipe are opposite the direction of the wind.

Side holes



- Fill the tank until it overflows from the side holes.



- Once the tray is full of water, place the gas bottle far from the flame generator tank; use the full length of the pipe and avoid bends.
- Manually screw the pressure regulation valve onto the bottle.
- Connect the gas supply lyre to the flame generator tank either by screwing on the lyre fitting manually, or by connecting the quick coupler (optional)
- Once the appliance has a gas supply, set the pressure regulation valve to a position greater than **3** for firing.



- Then you can use it by pressing the button on the remote control to fire the flame generator tank. Release the button to put out the flames.
- To increase or lower flame height, increase or decrease the pressure regulation valve setting.



- Always keep a watch on the flame generator tank and the persons around it when operating the remote control.
- The remote control must be permanently held by the operator. The operator must stand close to the gas bottle, ready to close its valve or to set the pressure regulation valve to **0** if there is a problem. If the operator needs to move away from the gas bottle, they must assign a person to be ready to cut the gas supply in the event of a problem.

The remote control is secure: only a deliberate action can operate the control button. From its design, unplanned triggering of the flame generator following a fall or an impact is improbable.

Stopping:

The appliance must be drained before disconnecting the pressure regulation valve from the bottle. Place the pressure regulation valve on **0**, shut off the bottle and press the remote control to evacuate the remaining gas.

Then you can disconnect the lyre from the bottle and the tank, then tip over the tank to empty its water.

 **WARNING** 

- Do not try to start the Aeros with the pressure regulator in position **0** or **3**.
- Do not smoke during these operations
- We recommend the use of work site type 13 kg or 35 kg propane gas bottles from **Antargaz**. To find out where to purchase them: <http://www.Antargaz.com> .
- The Aeros appliance only operates using propane gas in its gaseous state. Always supply it using vertical bottles; do not lay the bottles on their sides as this would cause the Aeros to operate with the gas in liquid state and would permanently damage the entire gas circuit.
- Any type of extinguishing agent can be used with the **AEROS2**.
- Be careful when using foam: it traps the gas which risks igniting further away when it is no longer in the tank.
- It is possible that trainees manage to blow out the flames, especially when using a Co² extinguisher. Release the remote control button. The trainee will have the impression that they put the fire out.
- Do not keep the remote control button pressed down if no flames appear, to prevent the spread of non ignited gas and its unplanned ignition outside the flame generator tank.
- After an intervention, wait for a few seconds and reset the pressure regulator to position **1** or **2** before reigniting the fire, so that the tank is no longer saturated with gas.



Do not use AEROS without water!
Remember to regularly top up the water level.

6. MAINTENANCE OPERATIONS

○ Propane bottle

- Close the gas bottle and place the pressure regulation valve in position 0, purge the gas circuit by pressing the button on the remote control. Warning, this operation ignites the fire in the tank, which will then quickly go out.
- Disconnect the gas bottle supply pipe.
- Disconnect the flame generator gas lyre.

○ Tank water

- To empty the water from the tank, tip it towards the side opposite the ignition system.



○ Cleaning

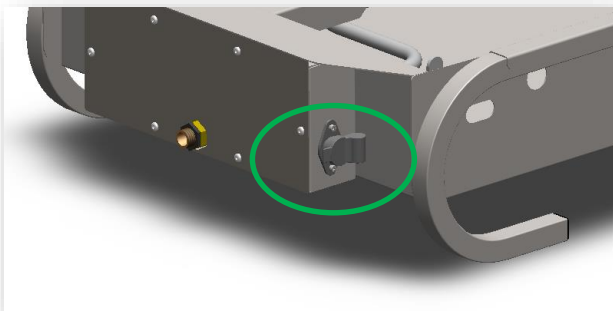


BEWARE OF THE HOT PARTS.



- The upper part of the tank is very hot after use.
- Before handling the tank, hose it down with water to cool it; wear gloves.
- Wash the tank abundantly with water to remove any powder or other extinguishing agent residue.
- In order to remove soot, clean the tank using Pyroclean; apply using a damp sponge, then rinse abundantly and wipe with a soft cloth.

○ Recharging the battery



Do not use the PYROS while the battery is charging!

- Disconnect the cap
- Connect the charger plug to the tank.
- Then, connect the charger to the mains.

NOTE:







The charge time for an flat battery, or a battery being charged for the first time is about 24 hours. Please read the manufacturer's instructions. We recommend recharging the battery after each use, or once per month if it has not been used.

7. SPARE PARTS LIST

Maintenance Level:	1	Spare parts supplied „WITHOUT“ maintenance formation.
---------------------------	----------	--

Picture	Lev	Réf	Désignation
	1	2001238	SPARK PLUG
	1	2001707	REMOTE CONTROL UNIT
	1	2001071	BATTERY
	1	2001132	ELECTRO VALVE
	1	2001070	HIGH VOLTAGE UNIT
	1	2001054	BLACK BATTERY CHARGER
	1	2001407	FUSE HOLDER
	1	2001408	FUSE
	1	2001067	AEROS LABEL

Maintenance Level: 2	Spare parts supplied „WITH“ maintenance formation.
--	---

Picture	Lev	Réf	Désignation
	2	2001072	FEMALE CONNECTOR
	2	2001073	MALE CONNECTOR
	2	2001708	FEMALE COUPLING Ø 8
	2	2001247	BODY OF REMOTE CONTROL
	2	2001250	PE SKINTOP
	2	2001249	ANTIVANDAL BUTTON

8. MALFUNCTIONS

Symptoms	Possible cause	Solutions
The flames are not high enough.	Is the gas bottle sufficiently full?	Replace the bottle.
	Is the flow regulation knob on the pressure regulator sufficiently tightened?	Tighten the flow regulation knob.
	The gas bottle is frosted (too intense use).	Change the gas bottle Or wait for it to defrost.
	Are the weather conditions favourable?	A very low outside temperature has a significant influence on the size of the flames. They will be bigger in summer than in winter.
Nothing happens when you press the button on the remote control.	Has the battery been recharged?	Connect the charger to the AEROS tank and power it on.
The gas is not flowing (the water is not "bubbling"). However the spark is produced (you can hear the continuous "tick-tick" of the firing system).	Is the gas bottle open?	Open the gas bottle.
	Check the position of the pressure regulator knob.	If it is on 0, turn it to position 1 or 2.
	Is the "tack" from the solenoid valve heard as soon as you press the remote control button?	If not, the solenoid may be defective. Repairs must be carried out in the factory.
The gas is flowing (the water "bubbles") but does not ignite.	The firing system is saturated with gas.	Wait a few moments for it to be sufficiently ventilated.
	There may be a drop of water on the electrodes.	Tap the tank to make the drop of water fall off.
	Has extinguisher powder been used during the drills?	The electrodes are dirty. Was them abundantly in water and dry them using compressed air
	Can you hear the "tack-tack" of the firing system?	If not, the white high voltage block on the firing system may be burnt out. It must be replaced in the factory.

9. WARRANTY



LEADER equipment has a contractual limited guarantee from the date of purchase, defined below by product, parts and labor (excluding transport costs and travel).

This warranty is specifically limited to replacing or repairing the equipment (or its parts) which proves defective after examination for reasons attributable to **LEADER**.

To initiate this warranty, with the agreement of **LEADER** the claimant must return the equipment in the shortest possible time after discovery of the defect to the following address:

LEADER SAS,
Maintenance Department,
ZI des Hautes Vallées Chemin No. 34, CS 20014,
76930 Octeville Sur Mer,
France,

OUT OF WARRANTY EQUIPMENT

A complete analysis will be carried on your faulty equipment, after which a detailed quote will be offered.

For faults and non-warranty repairs, a diagnosis fee will be applied independently of the acceptance of the repair estimate.

Our after sales service is committed to a processing time, upon acceptance of the quote.

LEADER

MANUFACTURER

LEADER S.A.S.

Z.I. des Hautes-Vallées
Chemin n° 34
CS20014
76930 Octeville sur Mer
France



www.leader-group.eu

www.LeaderNorthAmerica.com

Our policy is to constantly seek to improve our products. We therefore reserve the right to change their technical specifications at any time and without prior notice. - Non contractual images



PLEASE RECYCLE